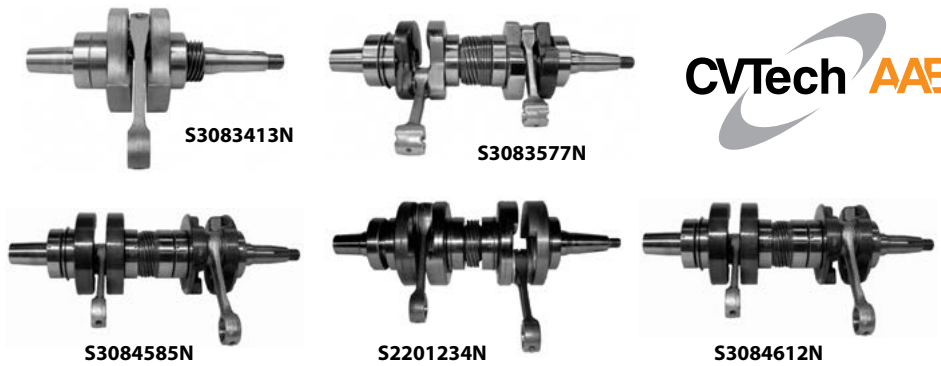


Polaris Crankshafts



Rebuilt Crankshafts/Exchange

- All prices are based on core exchange.
- A core deposit of \$200 applies until receipt of your old core.
- Crankshafts come complete with bearings.



2 Cylinder Fan Cooled

Part #	Price (C)	cc	Model	Year	Specifications	Needle Bearing
S3083413N	\$269.99	245, 250	250 / Fin (LTR, Star, Startrak) / Lite / Lite DLX / Lite GT / Longtrak / Nor (SS, Spring, Spring ES) / Nor (Star, StarTrak) / Nor longtrak w / reverse / Spring / Spring ES / SS / Star / Starlite / Starlite GT / Startrak / Swe (LTR, Startrak, Lite, Starlite)	1985-95		B1014

2 Cylinder Fan Cooled

Part #	Price (C)	cc	Model	Year	Specifications	Needle Bearing
S3083577N	\$459.99	340	340 / Fin(Star/Startrak Sport/Trail/ Trail SKS / Nor (Sport/ Sport GT/Spring/Star) / Nor(Trail/ Trail SKS/ Spring ES) / Sport (GT) / Spring (ES) / Star / Star Trak / Star Twin / SWE (SS, Star, Sport, Sport GT / SWE Trail SKS / SWE Trail SP	1970-15		B1021
S3084585N	\$459.99	400, 440, 500	400 / 500 / Sport SKS / Sport Touring / Super Sport / Transport / XCF	1980-15	S3084612N fit as well	B1014
S3089483N	\$509.99	440, 550	440 / 440 XCF / 550 / 550 CDN / 550 Classic / 550 EDGE LX / 550 ES / 550 INTL / 550 IQ SHIFT / 550 LX / 550 LXT / 550 Pro X Fan / 550 Shift / Super Sport (Edge) / Trail ES / Trail Fleet / Trail INTL / Trail RMK / Trail Touring / Trail Touring DLX / Trail Transport	2002-14		B1014

2 Cylinder Liquid Cooled

Part #	Price (C)	cc	Model	Year	Specifications	Needle Bearing
S1201638N	\$571.50	440	440 XCF / 440 XCR	1997	Big Brass Gear-6 Teeth.	B1031
S2201234N	\$569.99	440, 500, 600	440 XCR / 440 XC SP / 500 / 500 RMK / 500 XC / 500 XC SP / 600 / 600 Classic / 600 Pro X / 600 RMK / 600 Touring / 600 XC SP	1998-03	Big Brass Gear-6 Teeth (2202257).	B1031
S2201865N	\$649.99	440	440 PRO X / 440 XCF	1998-03	Big Brass Gear-6 teeth with grease.	B1031
S2202688N	\$649.99	440	440 Pro IQ / 440 Pro XR / 440 XCF	2004-07	Small Brass Gear-10 teeth with grease	B1031
S3084612N	\$519.99	440, 500	440 / 440 L / 500 / 500 Carb. / 500 EFI / 500 EFI SKS / 500 PDL / 500 SKS / 500 TRK / Classic & Classic Touring / C SKS / C XCR / Wide Track LX	1986-95	Seal PTO 30mm-Square Key Fuji Engine	B1014
S3084701N	\$474.99	440	440 XCF / 440 XCR / 440 XCR SP	1994-95	Seal PTO 30mm-moon key Fuji Engine	B1014
S3085211N	\$449.99	440	440XC / 440 XCF / 440 XCR / 440 XCR SP	1996-97	Seal PTO 32mm-moon key Fuji Engine	B1014
S2202520N	\$549.99	500, 600	500 XC SP (EDGE) / 600 Classic / 600 EDGE Touring / 600 HO Fusion / 600HO IQ / 600HO RMK / 600HO Switchback / 600 Pro X / 600 Pro X Z / 600 RMK / 600 SP (EDGE) / 600 Switchback / 600 Touring / 600 XC (EDGE) / Classic / Touring	2004-09	Small Brass Gear – 10 Teeth -2203580 (2203580)	B1031
S3085206N	\$519.99	500	440 L / 500 / 500 Classic / 500 Indy / 500 RMK / 500 SKS / C (Indy) / Classic / Classic Touring	1996-00 2002	Seal PTO 32mm-Square Key Fuji Engine	B1014
S3089530N	\$543.99	500	500 Classic / 500 Indy / Wide Track INTL / Wide Track LX	2000-15	Seal PTO 32mm-moon key Fuji Engine Large bearing on MGT	B1014
S1201663N	\$509.99	600, 700	600 / 700 / 700 RMK / 700 SKS / 700 XC	1997-98	Solid Center – heavy duty on PTO bearing. Not on exchange program, please send your core	B1039

Note: To receive credit, crankshaft cores must be received freight prepaid within 15 days.



Polaris Crankshafts



S2203110N



S2201554N



S1201663N



S2203578N



S3084679N



S3085250N

2 Cylinder Liquid Cooled (continued)

Part #	Price (C)	cc	Model	Year	Specifications	Needle Bearing
S2201361N	\$584.99	600, 700	600 / 600 Classic / 600 RMK / 600 XC / 600 XC DLX / 600 XC SP / 700 / 700 Classic / 700 RMK / 700 XC / 700 XC DLX / 700 XC SP	1999-05	Solid Center- heavy duty on PTO bearing.	B1039
S2203320N	\$619.99	600	600 Cleanfire Switchback / 600HO / 600 HO IQ / 600 HO IQ Touring Cleanfire / LX Cleanfire	2007-14	Small Brass Gear - 10 Teeth (2203579) (2204098) (Stroke 60MM) (2204619)	B1031
S2203717N	\$674.99	600	600 IQ Racer	2008-15	Brass gear 10 teeth (2203993) (2204621)	B1030
S2203803N	\$669.99	600	600 / 600 IQ Racer	2008	Special model SnoCross Grease PTO	B1031
S2203993	\$720.99	600	600 IQ Racer	2009-13		
S2205648N	\$944.95	600	600 IQ Racer	2013-15	T-Crankshaft	
S2203110N	\$549.99	700, 900	700 / 700 Fusion / 700 RMK / 900 Fusion seal shaft 28mm / Polaris 700	2005-06	T-Crankshaft	B1030
S2203578N	\$549.99	700	700 / 700 IQ / 700 IQ Dragon / 700 RMK / 700 Switchback / Polaris 700	2007-10	Brass gear 10 teeth (2203313) (Stroke 64mm)	B1031
S0452929N	TBA	750	750 / FS (Classic/ Touring/ IQ Touring) / FS Cruiser / FST Classic / FST IQ Touring / FST LX / FST Switchback / FST Touring / FS Widetrack / IQ Cruiser / IQ LX / IQ Switchback / IQ Turbo Dragon / IQ Turbo LX / IQ Turbo Switchback / IQ Widetrack / Turbo IQ LXT / Turbo LX / Turbo Switchback	2006-12	Call	/
S2201554N	\$569.99	800	800 RMK	2000-05	Solid Center- heavy duty on PTO bearing.	B1030
S2203803N	\$669.99	800	800 Dragon ES / 800 Dragon Switchback / 800 ES / 800 INTL / 800 IQ / 800 RMK / 800 Switchback	2008-15		
S2205648N	\$944.95	800	800 RMK / 800 Switchback Axys	2015-18	T-Crankshaft	
S2203717N	\$674.99	800	800 Assault RMK / 800 Dragon IQ / 800 Dragon RMK / 800 Dragon Switchback / 800 ES / 800 IQ / 800 Pro RMK / 800 RMK / 800 RMK Assault / 800 RMK Shift / 800 Switchback / 800 Switchback Assault / 800 Switchback Pro-R	2008-16	Brass gear 10 teeth (2203993) (2204621)	B1030
S2207818N	\$995.00	850	850 Patriot Engines	2019		

3 Cylinder Liquid Cooled

Part #	Price (C)	cc	Model	Year	Specifications	Needle Bearing
S3084596N	\$569.99	580	XLT SKS / XLT SP	1992-94, 2000-05	Monobloc	B1021
S3084679N	\$639.99	600	600 XCR / XLT RMK / XLT SKS / XLT SP / XLT SP LT / XLT SP XTRA / XLT Touring	1995-96, 2005-06	Monobloc	B1021
S3085250N	\$619.99	600, 680	600 XCR SP / ULTRA RMK / ULTRA SKS / ULTRA SP	1996		B1014
S3085437N	\$664.99	600	600 Triumph / 600 XCR / XLT Classic / XLT LTD / XLT SP / XLT Touring	1992-94, 1997-00	Monobloc oil jet on PTO side	B1021
S3085450N	\$619.99	600	600 XCR / 600 XCR SE	1997-98	7/16 X 20 PTO Thread size	B1014
S3084377N	\$553.99	650	650 RXL / 650 RXL SKS / FIN RXL SKS / RXL LT / RXLTouring / SWE 650 / SWE RXL / SWE RXL SKS	1986-97		B1014
S3086127N	\$639.99	700, 800	700 XCR / 800 XCR	1999-03	14 X 1.5 PTO Thread size	B1014
S3085312N	\$639.99	750, 800	Storm RMK / Storm SE) / Storm SKS	1993-98		B1014

Note: To receive credit, crankshaft cores must be received freight prepaid within 15 days.

